

PARTS CATALOG

Cassette-AA1

Canon

Mar 17 2004

PREFACE

This Parts Catalog contains listings of parts used

Diagrams are provided with the listings to aid the service technician in identifying clearly, the item to be ordered.

Whenever ordering parts, consult this Parts Catalog for all of the information pertaining to each item. Be sure to include, in the Parts Request, the full item description, the item part number, and the quantity.

COPYRIGHT (C) 1999 CANON INC.

Use of this manual should be strictly supervised to avoid disclosure of confidential information.

Contents

Parts List Index

Cassette-AA1 1-1

Cassette-AA1

L30 CASSETTE 2-1

NUMERICAL INDEX

Cassette-AA1

PARTS NUMBER	FIGURE & KEY NO.	PARTS NUMBER	FIGURE & KEY NO.	PARTS NUMBER	FIGURE & KEY NO.
FB6-3478-000	L30 - 30				
FB6-3480-000	L30 - 1				
FB6-3481-000	L30 - 2				
FB6-3482-000	L30 - 3				
FB6-3483-000	L30 - 31				
FB6-3484-000	L30 - 32				
FB6-3488-000	L30 - 4				
FB6-3490-000	L30 - 5				
FC5-1422-000	L30 - 6				
FC5-1423-000	L30 - 7				
FC5-1424-000	L30 - 8				
FC5-1425-000	L30 - 9				
FC5-2550-000	L30 - 10				
FC5-2551-000	L30 - 11				
FC5-2555-000	L30 - 12				
FC5-2558-000	L30 - 13				
FC5-2559-000	L30 - 14				
FC5-2560-000	L30 - 15				
FC5-2564-000	L30 - 17				
FC5-2567-000	L30 - 18				
FL2-0560-000	L30 - 19				
FL2-0563-000	L30 - 21				
FS6-8116-000	L30 - 16				
FS7-2805-000	L30 - 33				
FU3-0293-000	L30 - 22				
FU5-0189-000	L30 - 23				
FU5-0190-000	L30 - 24				
FU5-2126-000	L30 - 25				
FU5-2127-000	L30 - 26				
FU5-2180-000	L30 - 20				
FU5-2599-000	L30 - 27				
FU5-2600-000	L30 - 28				
FU5-8081-000	L30 - 29				
NPN	L30 -				
XB2-8300-607	L30 - 501				
XB4-5300-807	L30 - 502				
XB4-7400-807	L30 - 503				
XB6-7300-607	L30 - 505				
XD1-1104-135	L30 - 504				
XZ1-1400-305	L30 - 506				

Cassette-AA1

F32-3901-000

Contents

L30 CASSETTE	2-1
--------------------	-----

FIGURE L30 CASSETTE

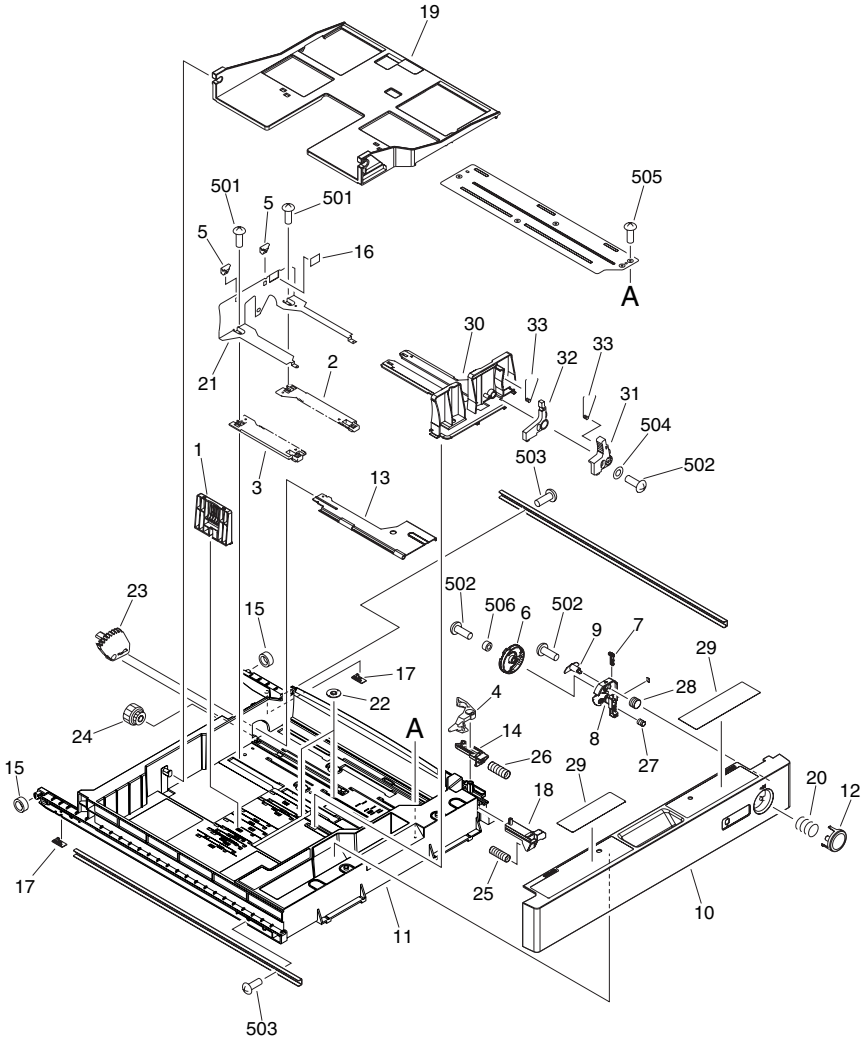


FIGURE & KEY NO.	PARTS NUMBER	R A N K	Q'TY	DESCRIPTION	SERIAL NUMBER/ REMARKS	S V C
Fig.L30	NPN		RF	CASSETTE		
1	FB6-3480-000		1	PLATE, END GUIDE		
2	FB6-3481-000		1	RACK, 1		
3	FB6-3482-000		1	RACK, 2		
4	FB6-3488-000		1	ARM, LOCK		
5	FB6-3490-000		2	CLAW, SIDE PLATE GUIDE		
6	FC5-1422-000		1	DIAL, SIZE DETECT		
7	FC5-1423-000		1	SLIDER, CONVERT		
8	FC5-1424-000		1	HOLDER, DIAL		
9	FC5-1425-000		1	PIN, FLOAT GUIDE		
10	FC5-2550-000		1	PANEL, CASSETTE FRONT		
11	FC5-2551-000		1	BODY, CASSETTE		
12	FC5-2555-000		1	BUTTON, PUSH		
13	FC5-2558-000		1	PLATE, LIFTER		
14	FC5-2559-000		1	LINK, RELEASE		
15	FC5-2560-000		2	ROLLER, CASSETTE SWING		
16	FS6-8116-000		1	LABEL, 'PAPER HEIGHT'		
17	FC5-2564-000		2	SLIDER, CASSETTE		
18	FC5-2567-000		1	LINK, BUTTON		
19	FL2-0560-000		1	PLATE, LIFTING		
20	FU5-2180-000		1	SPRING, COMPRESSION		
21	FL2-0563-000		1	PLATE, PAPER SIDE END, REAR		
22	FU3-0293-000		2	GEAR, 16T		
23	FU5-0189-000		1	GEAR, 50T		
24	FU5-0190-000		1	GEAR, 10T		
25	FU5-2126-000		1	SPRING, COMPRESSION		
26	FU5-2127-000		1	SPRING, COMPRESSION		
27	FU5-2599-000		1	SPRING, COMPRESSION		
28	FU5-2600-000		1	SPRING, COMPRESSION		
29	FU5-8081-000		1	LABEL, PAPER SET		
30	FB6-3478-000		1	PLATE, SIDE GUIDE, FRONT		
31	FB6-3483-000		1	KNOB, SIDE GUIDE PLATE, 1		

FIGURE & KEY NO.	PARTS NUMBER	R A N K	Q'TY	DESCRIPTION	SERIAL NUMBER/ REMARKS	S V C
32	FB6-3484-000		1	KNOB, SIDE GUIDE PLATE, 2		
33	FS7-2805-000		2	SPRING, TORSION		
501	XB2-8300-607		AR	SCREW,W/WASHER,M3X6		
502	XB4-5300-807		AR	SCREW,P,M3X8		
503	XB4-7400-807		AR	SCREW,TAPPING,TRUSS HEAD,M4X8		
504	XD1-1104-135		AR	SHIM		
505	XB6-7300-607		AR	SCREW,TP,M3X6		
506	XZ1-1400-305		AR	SPACER		

Prepared by
OFFICE IMAGING PRODUCTS QUALITY ASSURANCE CENTER
CANON INC.

Canon